

Wire Cleaning Shower

A Simple Solution

TRIOSIM
CORPORATION

Go Further with Triosim

Washing systems operating with an air doctor or take-off roll are often plagued by pulp residue that builds up on the facewire. This residue can adversely affect pulp washer performance.

Depending on the amount of pulp that has built up on the facewire, residue can often cause the facewire to "seal over" resulting in poor drainage and problems at take-off.

A simple and inexpensive solution to the problem is the Triosim's Oramac Wire Cleaning Shower.

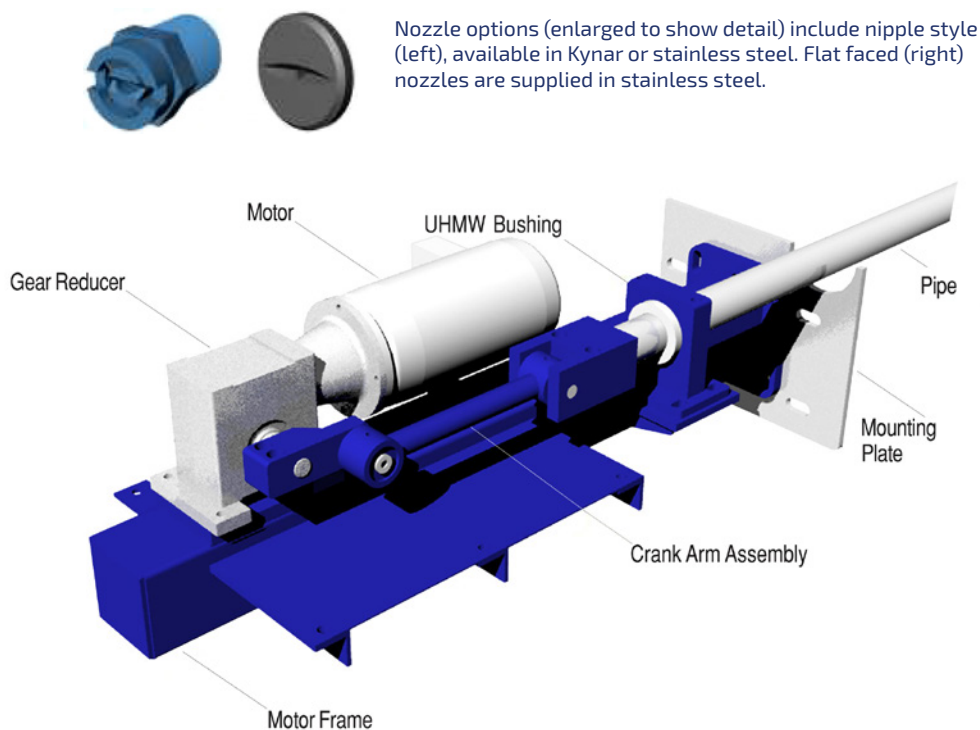
The Wire Cleaning Shower solves the problem of facewire seal over by applying a high pressure application of water through the facewire immediately following sheet take-off.

The shower assembly is available in all metallurgies and can be supplied in oscillating and non-oscillating models.

There are two nozzle options offered and a self-cleaning feature is available for showers equipped with flat faced nozzles.

If a hydro-doctor is currently installed on your system, a wire cleaning shower should not be required. Regardless of the equipment you are using, we will be happy to discuss any questions or concerns you might have about washer performance.

- Available in all metallurgies
- Standard (nipple style) nozzles are supplied in Kynar or stainless steel
- Flat faced (disc) nozzles are supplied in stainless steel
- Self cleaning option available with units supplied with disc nozzles
- Oscillating or stationary models
- Easy to install & economical
- Removes debris
- Improves pulp washer performance



Nozzle options (enlarged to show detail) include nipple style (left), available in Kynar or stainless steel. Flat faced (right) nozzles are supplied in stainless steel.

ORAMAC

8100 N.E. St. Johns Rd.
Suite A-104
Vancouver, Washington 98665

360.694.0963 Tel

www.Triosim.com