

Spare Parts for Washer Gearcases

Partner with the Experts

TRIOSIM
CORPORATION

Go Further with Triosim

Change is the only constant in our industry. Changes in process, personnel and equipment make it increasingly difficult for our customers to identify and plan for the parts requirements for their washers. Gearcases present a special challenge because of the wide spectrum of drive configurations.

Identify Your Mill's Requirements

This is why Triosim offers a unique service: we will work with you to perform a comprehensive parts audit that will provide you with a complete listing of the parts required for every drive in your plant. Accurate and complete information then allows our customers to work within their stores system to assure effective stocking levels and re-order data.

Anticipate Emergencies

And because emergencies happen, Triosim offers parts support services that allows our customers to contact us twenty-four hours a day, seven days a week. Our extensive parts stock allows us to ship most parts immediately with next day service available to our customers across the country.

Regardless of manufacturer, Triosim offers a complete line of gearcase parts that are 100% guaranteed for fit.



This image represents one of many gearcase configurations. Triosim stocks spare gearcase components for all sizes.

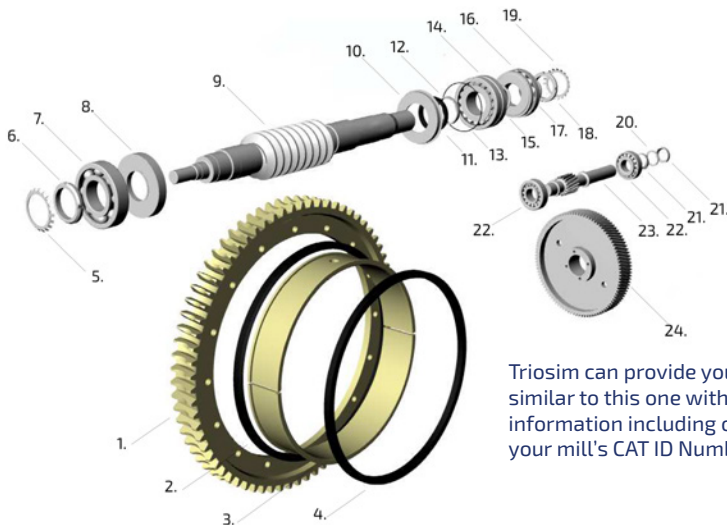


During a gearcase rebuild, Triosim's consignment part boxes are an efficient way to ensure all parts are on hand.

- Identify Mill's Requirements
- Simplify Stocking & Ordering
- Anticipate Emergencies

- Bull Gears
- Bronze Bushings
- Worm Screws
- Helical Pinions
- Helical Gears
- Oil Seals
- Bearings
- Oil Seal Retainers
- Lantern Rings
- Grease Flinger

Triosim parts are manufactured in the U.S.A.



Triosim can provide your mill with a schematic similar to this one with comprehensive part information including our part numbers and your mill's CAT ID Numbers

- | | | | |
|-------------------|-----------------------|-----------------------|----------------------|
| 1. Bull Gear | 7. Bearing | 13. O-Ring | 19. Lock Washer |
| 2. Inner Oil Seal | 8. Grease Flinger | 14. Spherical Bearing | 20. Lantern Ring |
| 3. Bronze Bushing | 9. Worm Screw | 15. Bearing Spacer | 21. Oil Seal |
| 4. Outer Oil Seal | 10. Oil Seal Retainer | 16. Thrust Bearing | 22. Helical Bearings |
| 5. Lock Washer | 11. Oil Seal | 17. Bearing Spacer | 23. Helical Pinion |
| 6. Lock Nut | 12. Bearing Spacer | 18. Lock Nut | 24. Helical Gear |

ORAMAC

8100 N.E. St. Johns Rd.
Suite A-104
Vancouver, Washington 98665

360.694.0963 Tel

www.Triosim.com