

Pulpers

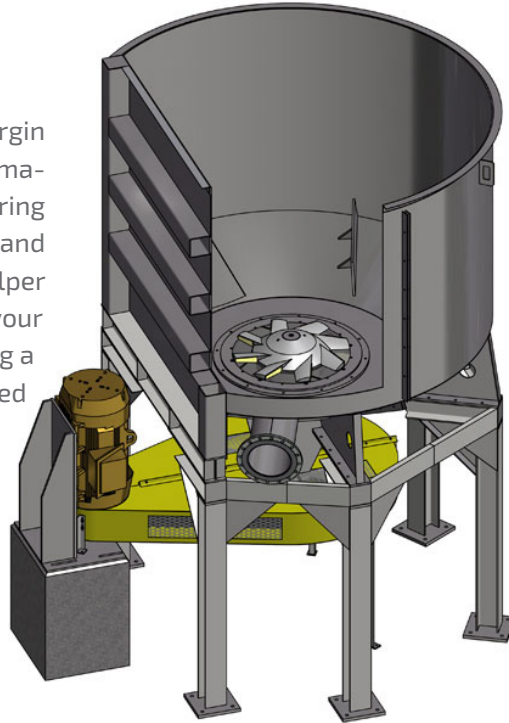
Innovative New Pulpers

TRIOSIM
CORPORATION

Go Further with Triosim

Innovative New Pulpers

Triosim pulpers quickly and efficiently re-pulp a variety of waste paper or virgin pulp in a batch, continuous or under-machine broke pulper applications. By offering a variety of tub, rotor, extraction plate and drive styles, we can customize the pulper design to ensure maximum output for your particular operating conditions. By using a combination of new, rebuilt and repaired components, total project costs can be kept to a minimum.



New Pulper Design



Turnkey New Pulper Assembly

Pulper Conversions and Retrofits Extend Life and Improve Performance

Triosim's professionals can help you extend the life, and upgrade the operation of any older style batch, continuous or under-machine broke pulper. Our engineered conversion package can significantly increase the performance of your outdated pulper increasing productivity and efficiency. In addition, retrofit packages are available to enhance the performance of stock prep equipment. Many include innovative extraction chamber designs featuring a replaceable packing box, wear plate sealing ring and flat wall tub baffles for pulpers.



Pulper Retrofit



Pulper Conversions Using New & Rebuilt Components

- Quick and efficient
- Customizable design
- Significantly increase performance
- Upgradeable operations

MTR Martco
New Components • Rebuilds • Repairs

3350 YANKEE ROAD
MIDDLETOWN, OH 45044

(513) 424-5307

www.Triosim.com