

Dilution Solution

Simplistic Innovation

TRIOSIM
CORPORATION

Go Further with Triosim

The Triosim JL-II Dilution Nozzle offers a stream-lined and simplified approach to achieving an efficient, low maintenance dilution process.

One Less Maintenance Headache

By eliminating what isn't needed, we've come up with a Dilution Nozzle that provides years of maintenance-free service.

The JL-II Dilution Nozzle features a single piece nozzle element that adjusts rotationally in 45 degree increments. The three-piece assembly includes a mounting base and flanged elbow. Existing tower housing can be used, or we will supply a new one.

To protect your system from backflow, a check valve is installed above. On/off function is controlled at the isolation valve.

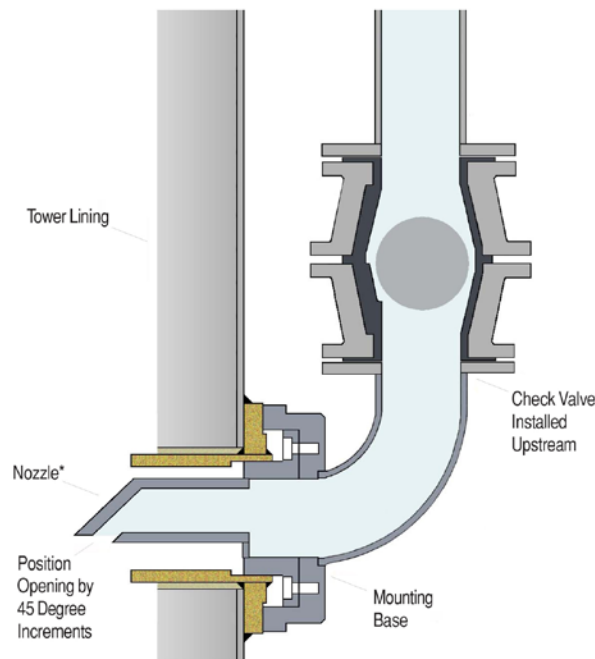
Simple, effective, and virtually maintenance free.

Significant Savings

As you might expect, the simplified design of the Triosim nozzle costs less to manufacture and is supplied to you at a substantial savings over conventional designs.

The big savings are in reduced maintenance and energy costs. Expect a quick payback and very substantial, ongoing maintenance benefits.

Call on us to learn more about the Triosim's Oramac Dilution System.



*Nozzle is supplied in custom lengths to accommodate lining thickness.



This is the Triosim JL-II Dilution Nozzle, (six inch diameter), in titanium. Manufactured in Vancouver, Washington, U.S.A.

- Dilution Nozzle functions without moving parts
- Typically less expensive than rebuilding existing unit.
- No springs to replace, no diaphragm to fail
- Available in a full range of metallurgies
- Check valve installed upstream protects dilution ring from backflow
- Uses existing housing, or new one can be supplied
- Huge savings on maintenance and energy costs

ORAMAC

8100 N.E. St. Johns Rd.
Suite A-104
Vancouver, Washington 98665

360.694.0963 Tel

www.Triosim.com